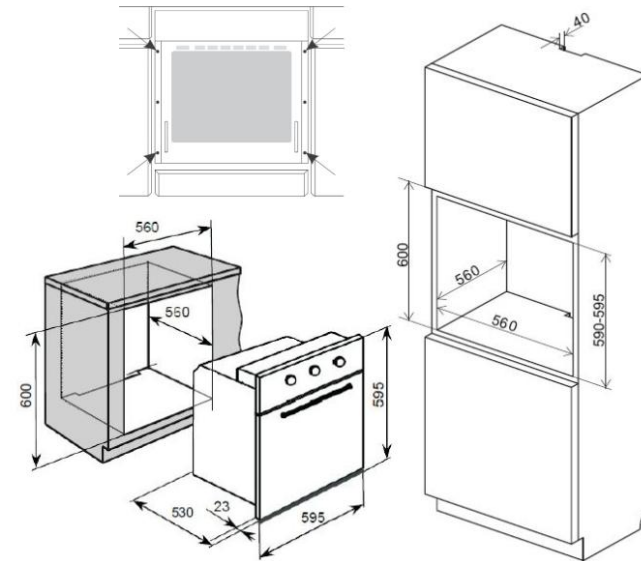


PRODUCT CARD

BROHN 60cm Built-in Electric Oven 10 Functions with InBuilt AirFry mode MODEL: BRO6001BLK



D(mm)	W (mm)	H (mm)
530	595	595

Features

Large Oven NETT capacity: 73L
 Black Glass Front Panel, easy operating knob control, 10 Functions with InBuilt AirFry mode
 Programmable clock / auto power off, cut off timer; Mechanical Thermostat: 50°C-250°C
 Triple-glazed, cool touch, easy removable door and glass, 5 Shelf levels
 24 hour white LED timer
 Energy Efficiency Class: A
 Black enamelled cavity with easy removable side racks

Specifications

Voltage Rating: 220–240 V~ 50/ 60 Hz
 Max Rated Inputs: 2.9kw
 Power Cord: 15 amp 3 Pin Plug
 Temperature Range :50 ~ 250°C
 Product Size D×W×H (mm): 530 x 595 x 595
 Package Size D×W×H (mm): 580 x 650 x 655
 Product Weight: 28 kg/Package Weight: 30 kg

Oven Functions/Accessories

10 Cooking Functions:
 Oven Light/Defrost/Top heat/Base heat/Bake roast/Airfry/Pizza/Fan forced/Grill/Fan grill
 Accessories: Airfry Tray/Oven Tray/Oven Shelf/Tray Insert Grill Rack
 Functions & Temperature Control: Knobs
 Timer Control : Digital LED Display
 Oven Cavity: Black Enamel
 Cavity Size: 73 L NETT / 80L GROSS